

# LED Pendant Series

Models: SSP, NIP, HTP, VIP, LXP, BXP, OTP

## LED Pendant Light

### Safety Precautions

Read all safety precautions and installation instructions carefully before installing or servicing this fixture. Failure to comply with these instructions could result in potentially fatal electric shock and/or property damage.

It is recommended that a qualified electrician perform all wiring. This fixture must be wired in accordance with all national and local electrical codes.

Do not handle any energized fixture or attempt to energize any fixture with wet hands or while standing on a wet or damp surface or in water.

Make sure that the power source conforms to the requirements of the fixture. (See labels on fixture housing).

To reduce the risk of electrical shock, and to assure proper operation, this fixture must be adequately grounded. To accomplish proper grounding there must be a separate ground wire (green) or bare metal contact (metal conduit) between this fixture and the ground connection of your main power supply panel. The green ground screw location is clearly marked on the fixture housing.

This fixture is intended to be used for general lighting in dry or damp locations only.

### Assembly Instructions

#### 1. Preparing for Installation

- A. **Disconnect electrical power** before installing or servicing any part of this fixture.
- B. Remove light fixture, decorative hardware, isolation canopy and parts bag from carton

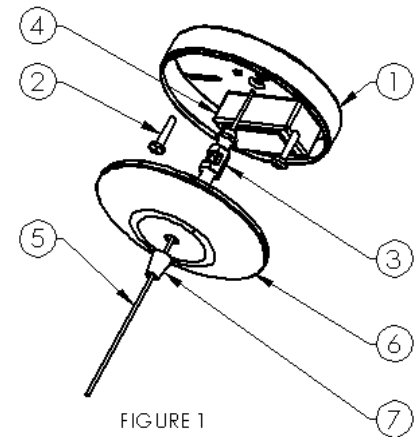
#### 2. Fixture Assembly

- A. Uncoil coax cable (5) and thread loose end through strain relief (7) (smaller end toward Pendant fixture).
- B. Temporarily secure strain relief onto coax cable at desired height by tightening setscrew using hex-wrench provided.
- C. Feed the decorative canopy (6) through coax cable.
- D. Prepare the outer braided wire (-) and insulated conductor (+) for wiring onto LED driver.

#### 3. Fixture Mounting & Wiring

**Caution:** Make sure power is off at fuse or circuit breaker box. Check power wires for damage or scrapes. If power supply wires are within three inches of ballast use wire suitable for at least 90C (194F). **Note:** Most dwellings built before 1985 have supply wire rated to 60C. Consult a qualified electrician before installing.

- A. Feed the black and white supply wires, and the green ground wire into isolation canopy (1) through the off-center hole.
- B. Fasten the isolation canopy (w/ LED driver affixed) to the electrical box {not shown} in the ceiling using #8-32 screws (2). [See figure 1]
- C. Thread nipple/hickey assembly into isolation canopy (3) and secure it from rotating by tightening the jam nut against the canopy. **NOTE:** the nipple should extend down 1-3/4" from the bottom of the isolation canopy.
- D. Wire the primary side (120VAC, 60Hz) of the LED driver (4) (black ( hot) and white (Neutral) wires) to the supply wires observing wire color convention. Connect ground wire to metal canopy using green ground screw attached to canopy.
- E. Loosen the canopy strain relief (7) set screw using hex-wrench provided while holding coax cable and raise pendant fixture to the ceiling. **Note – Tighten set screw enough so that the cable is secure. Do not over-tighten: recommended torque 10 in-lbs.**
- F. Feed coax cable (5) through lower nipple and out through aperture of hickey coupling (3).
- G. Twist coax cable outer wire braid with blue wire of LED driver and secure with blue wire nut provided. Repeat this step for joining the inner conductor with the red wire of the LED driver.
- H. Insert any protruding wires between decorative canopy and isolation canopy and raise pendant light to desired height.
- I. Thread canopy strain relief onto bottom of nipple until tight.
- J. Re-tighten strain relief set screw to secure coax cable and pendant height.
- K. Restore power at fuse or circuit breaker box.



# LED Pendant Series

Models: SSP, NIP, HTP, VIP, LXP, BXP, OTP

## LED Pendant Light

### Product Overview

#### Features

This pendant utilizes LED low voltage light engine, which has been mounted in various length metal cylinders. Each cylinder is 2" in diameter and is available in several different color choices. The light engine include a LED with a L70 rating of 35,000 hours. The Oketo pendent is suspended from an 8' coax cable that can be cut to height and retained with a set screw and a strain relief bushing. Product can be mounted over counters, desks, in restaurants or used for any task lighting application. Driver is located in the canopy (shown in fig 1.) which mount's to a standard junction box ( not included).

#### Construction

Pendant is supported with a 1/8" IP threaded stem and jam nut. Metal tube is made from 1/8" thick aluminum. Canopy is 5-1/4 x 1-5/8 deep, which fits over a standard J-Box . And that canopy is retained to the junction box from the inside with 2 mounting screws ( Fig .1 ( no# 2) and the cover is retained with a strain relief

#### Finish

All exposed metal parts are powder coated paint with a finish color of one of three options: black, white or silver

#### Glass mounting (only applicable for pendants with VIP, NIP, SSP suffix (use adjacent image)).

Position rod hub (6) in the center of the glass . To capture glass thread rods (4,5) through the glass holes into the hub.

#### Electrical

The unit is hardwired to a 500ma low voltage electronic LED driver located in the canopy. There are 2 constant current drivers available which are:

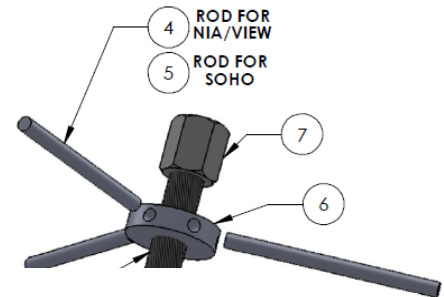
- (D1) is rated for 120VAC 60 Hz and is a 2-wire dimmable driver
- (MV) is rated for 120-277VAC universal voltage and is a non-dimmable driver.

#### Lamping

All pendants include a 6 Watt led module, and the light engines produces 450 source lumens

#### Certification

All fixtures are cETLus listed for damp locations



#### Limited Factory Warranty

American Fluorescent Corporation hereby warranty that this fixture is free from defects in materials and workmanship when installed and used under normal operating conditions for a period of 2 years from date of purchase. This warranty covers all component parts and extends only to replacement of defective fixture or components; it does not cover failure due to improper installation, misuse, mishandling or damage incurred in transit.